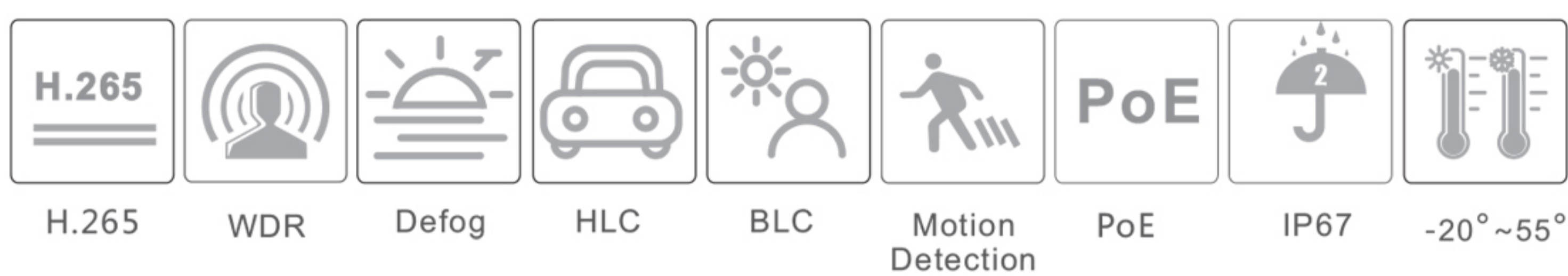


2MP IR Water-proof Eyeball Network Camera

model:

HP-97D203PE

- 2MP (1920 × 1080) H.265 coding
- Max.resolution: 1920 × 1080
- ICR auto switch, true day / night, ROI coding
- 3D DNR, digital WDR, HLC, BLC, defog
- 10~20m IR night view distance
- PoE power supply (optional)
- 1CH built-in MIC
- P2P function optional
- IP 67 ingress protection
- Support dual streams
- Support mobile surveillance by smart phones with iOS and Android OS
- Intelligent analytics: video blur detection, line crossing detection and region intrusion detection

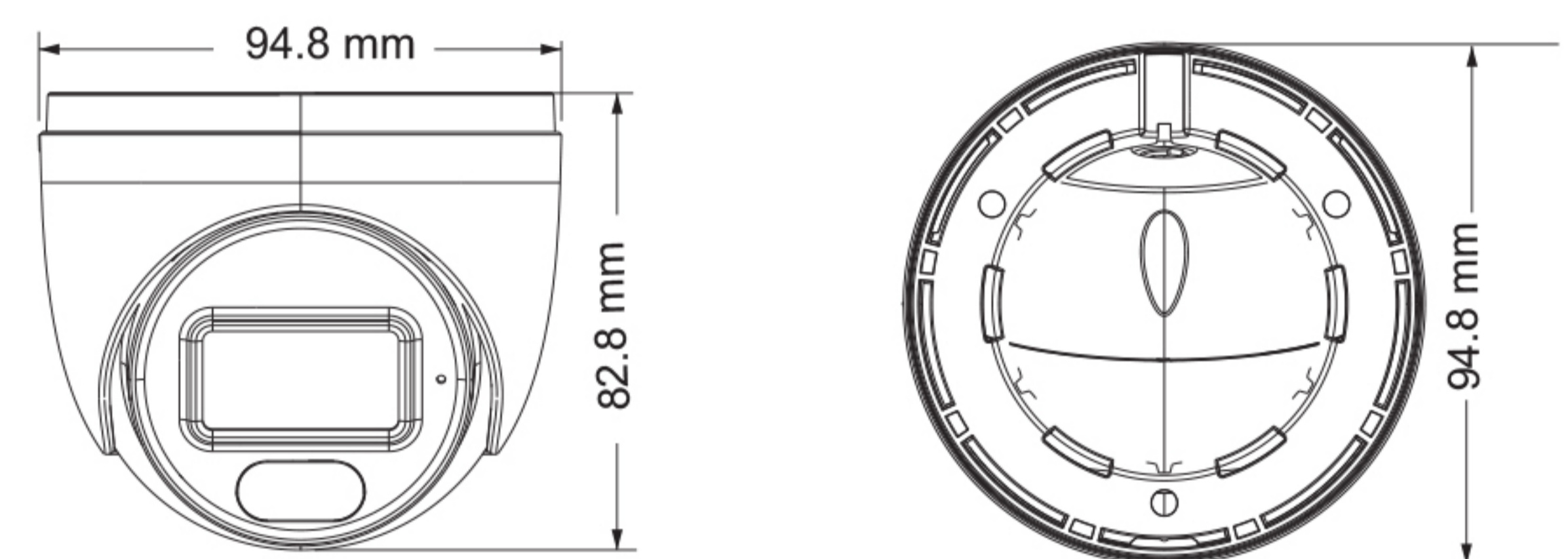


SPECIFICATIONS

Camera	
Image Sensor	1 / 3"CMOS
Image Size	1920×1080
Electronic Shutter	1 / 25 s ~ 1 / 100000 s
Iris Type	Fixed Iris
Min. Illumination	0.012lux @F1.2, AGC ON; 0 lux with IR 0.046 lux @ F2.0, AGC ON; 0 lux with IR
Lens	2.8 mm @F2.0, (fixed lens), horizontal field of view: 93.7° 3.6 mm @F2.0, (fixed lens), horizontal field of view: 75.8°
Lens Mount	M12
Wide Dynamic Range	Digital WDR
BLC	Yes
HLC	Yes
Defog	Yes
Digital NR	3D DNR
Angle Adjustment	Pan: 0°~360°; Tilt:0°~75°; Rotation: 0°~360°
Image	
Video Compression	H.265 / H.264 / MJPEG
H.265 Compression Standard	Main Profile@Leve4.1 High Tier
Resolution	1080P (1920 × 1080), 720P (1280 × 720), D1, 480 × 240, CIF
Main Stream	60Hz : 1080P/720P(1~30fps); 50Hz : 1080P/720P(1~25fps)
Sub Stream	60Hz : D1/CIF/480×240(1~30fps); 50HZ: D1/CIF/480×240 (1~25fps)
Bit Rate	64 Kbps ~ 6 Mbps
Bit Rate Type	VBR / CBR
Image Settings	ROI, Saturation, Brightness, Chroma, Contrast,Wide Dynamic, Sharpen, NR,etc. adjustable through client software or web browser
ROI	Each ROI to be configured separately
Audio Compression	G711A/U



DIMENSIONS



Interfaces	
Network	RJ45, 10/100 T-Base
Video Output	No
Audio	1CH built-in MIC
Storage	No
Hardware Reset	No
Functions	
Remote Monitoring	Web browsing, CMS remote control
Online Connection	Support simultaneous monitoring for up to 3 users; Support multi-stream real time transmission
Network Protocol	UDP, IPv4, IPv6, DHCP, NTP, RTSP, PPPoE, DDNS, SMTP, FTP, 802.1x, UPnP, HTTP, HTTPs, QoS
Interface Protocol	ONVIF
Storage	Network remote storage
Smart Alarm	Motion detection
Intelligent Analytics	Region intrusion detection, video blur detection and line crossing detection
General Function	Watermark, IP address filtering, video mask, heartbeat, illegal login lock
PoE	Optional, IEEE 802.3af/at
IR Distance	10 ~ 20m
Ingress Protection	IP67
Others	
Power Supply	DC12V(PoE power supply optional)
Power Consumption	< 5 W
Operating Environment	- 20 °C ~ 55 °C (-4°F~131°F) Humidity: less than 95 % (non-condensing)
Dimensions (mm)	Φ 94.8 × 82.8
Weight (net)	Approx. 0.287KG
Installation	Ceiling mounting (Wall mounting available with the junction box and bracket)